

WINTERLITE™

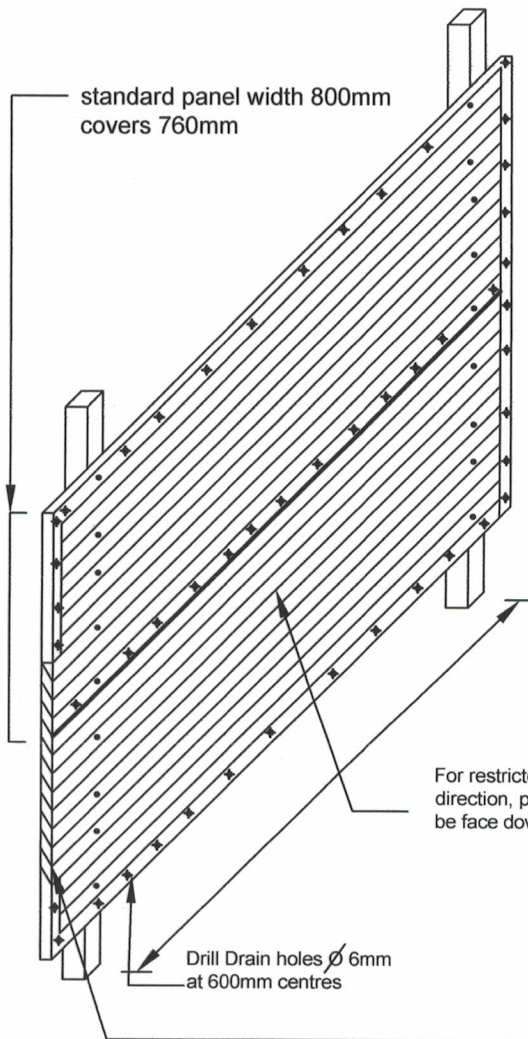
Privacy and sunlight control panels for vertical PRIVACY SCREENS

INSTALLATION GUIDE

Plan your material required on the back of the sheet

Install Winterlite panels using recommended fasteners and spacings. If panels need to be joined, refer to details below. Avoid panel end joints at mid span.

Fit edge capping and fasten to panels where indicated, ensuring it is fixed to posts where contact occurs.



Maximum Post spacings

2.4m in areas sheltered from strong winds.
1.8m in areas where strong winds gusts are likely to occur

Fastener Legend

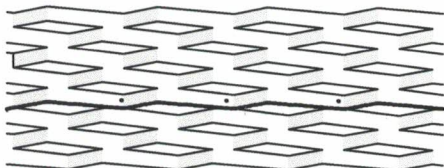
Screw ● panel attachment to post
Rivet ○ panel joints and capping fixings

screw fastener positions 5 screws per panel per post recommended.
Pre-drill panels Ø 6mm

PANEL JOINING DETAILS

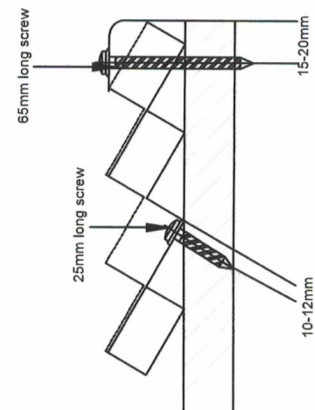
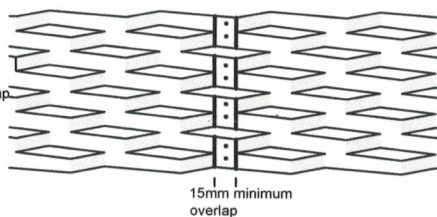
Panel Side Joints

Aluminum pop rivets
O 3.2 x 6.4 (aluminum stem)



Panel End Joints

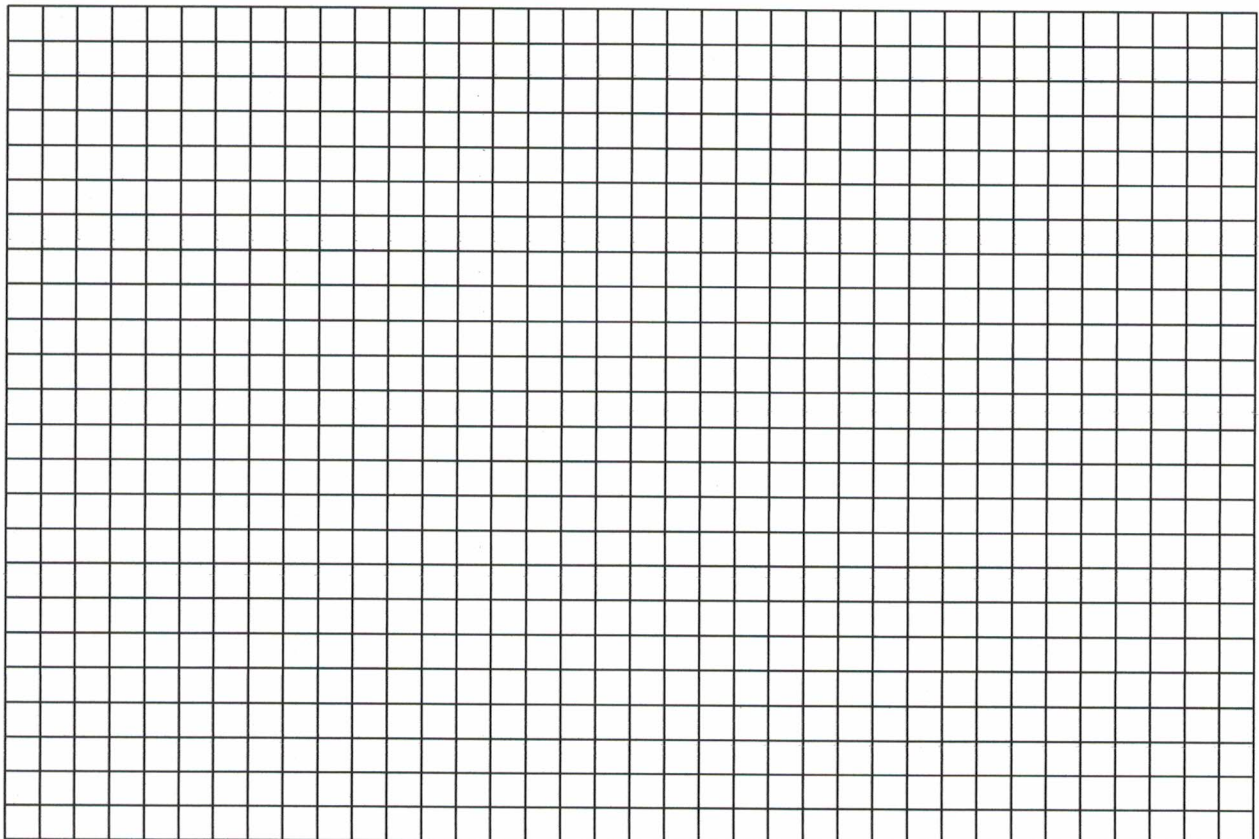
Aluminum pop rivets
O 3.2 x 6.4 (aluminum stem)



HOME  PLUS

IMPROVEMENTS
454 PORT RD HINDMARSH, SA, 5007
PH: 8346 2222 FAX: 8346 2054
E/M: ADMIN@HOMEPUS.COM.AU

Plan your winterlite PRIVACY SCREENS here!



Points to consider:

1. sheet coverage:

no. of sheets	Coverage width	no. of sheets	Coverage width
1	0.8m	6	4.6m
2	1.56m	7	5.36m
3	2.32m	8	6.12m
4	3.08m	9	6.88m
5	3.84m	10	7.64m

2. sheet length - coverage for multiple sheets

2.4m	-	2.2m
3.0m	-	2.8m

3. Check direction of north for vision restriction.
4. Winterlite panels should not be walked on.
5. Add capping to finish the job.
6. Winterlite panels are also suited to applications as a pergola covering. See separate sheet for information.

what to order

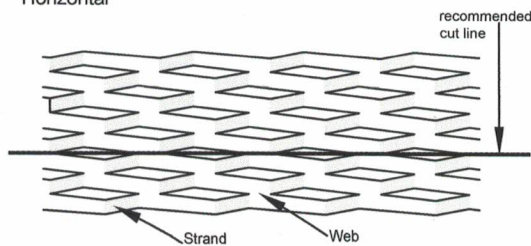
1. Number of sheets required.
2. Colour choice available.
3. Capping required 3.25 & 6.5m lengths.
4. Fasteners :
 For timber posts - type 17 12- gauge hex HD gal. screws with neoprene seals.
 For steel posts - Number 12 x 20 self-drilling 'teks' screws
 Pop rivets - \varnothing 3.2 x 6.4 grip length aluminum rivet with aluminum stems.

* Type 17 screws require a driver socket for fixing.

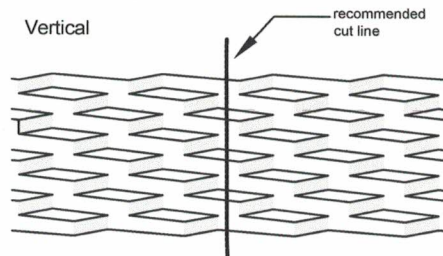
Panel Cutting Detail

CAUTION ! cut edges can be sharp

Horizontal



Vertical



HOME PLUS

IMPROVEMENTS
 454 PORT RD HINDMARSH, SA, 5007
 PH:8346 2222 FAX:8346 2054
 E/M: ADMIN@HOMEPLUS.COM.AU